

# Dean Stoves

Dean Forge Fabrication Ltd. Dean Prior, Buckfastleigh, Devon TQ11 0LS

Tel: 01364 643574

www.dean-forge.co.uk email: stoves@dean-forge.co.uk

## **Operating Instructions for The Dean Forge Dartmoor 5E and W5E Stoves**

### **Including Huccaby and Foxworthy**

DM5/W5E issue 1. 21<sup>st</sup> October 2019

## **All stoves meet the essential type test requirement BS EN13240:2001 + A 2:2004**

### **The Clean Air Act 1993 and Smoke Control Areas**

Under the Clean Air Act local authorities may declare the whole or part of the district of the authority to be a smoke control area. It is an offence to emit smoke from a chimney of a building, from a furnace or from any fixed boiler if located in a designated smoke control area. It is also an offence to acquire an "unauthorised fuel" for use within a smoke control area unless it is used in an "exempt" appliance ("exempted" from the controls which generally apply in the smoke control area).

The Secretary of State for Environment, Food and Rural Affairs has powers under the Act to authorise smokeless fuels or exempt appliances for use in smoke control areas in England. In Scotland and Wales this power rests with Ministers in the devolved administrations for those countries. Separate legislation, the Clean Air (Northern Ireland) Order 1981, applies in Northern Ireland. Therefore it is a requirement that fuels burnt or obtained for use in smoke control areas have been "authorised" in Regulations and that appliances used to burn solid fuel in those areas (other than "authorised" fuels) have been exempted by an Order made and signed by the Secretary of State or Minister in the devolved administrations.

The Dean Stoves, Dartmoor 5 Eco, Foxworthy 5 Eco, Dartmoor W5 Eco and Huccaby W5 Eco has been recommended as suitable for use in smoke control areas when burning wood logs.

The Dean Stoves Dartmoor 5 Eco, Foxworthy 5 Eco, Dartmoor W5 Eco and Huccaby W5 Eco is factory fitted with a permanent stop to prevent closure of the secondary air control for use in a smoke controlled area.

Further information on the requirements of the Clean Air Act can be found here:

<http://smokecontrol.defra.gov.uk/>

Your local authority is responsible for implementing the Clean Air Act 1993 including designation and supervision of smoke control areas and you can contact them for details of Clean Air Act requirements

### **Please Note.**

The Huccaby is a variant of the Dartmoor W5 and share the same fire box. The Foxworthy is a variant of the Dartmoor 5 and shares the same fire box. Please refer to the Dartmoor W5 instructions for the Huccaby and the Dartmoor 5 instructions for the Foxworthy stoves unless specific points about these models are mentioned within the instructions.

### **Safety Note**

Warning- The external parts of the appliance will get very hot to the touch and due care will be needed when operating.

All stoves before being operated must be checked that the installation complies with all local, national and European standards.

Before the stove is first used or when fitting other appliances into the room, please check that adequate air vents are in place to cover the requirements of such appliances.

**Extractor fans.** When operating an extractor fan in the same room or space as the appliance the extractor fan could cause the stove not to function properly and pull dangerous fumes into the room. This must be checked by a trained qualified engineer before using the stove. We do not recommend installing a stove into a room where an extractor fan is installed.

### **Wood & Suitable fuels**

**Dry wood, 20% moisture content or below must be used.**

**Using wood with a moisture content above 20% will cause the stove to work inefficiently, produce more smoke and particle emissions, it will also cause the stove and flue to tar up and the door glass won't stay clean.**

Wood is best seasoned by splitting it into a log and drying it out for 2 years in a covered area so the air can pass through to dry it out. Peat can also be used but must be dry.

	Maximum Log Length	Maximum Log Diameter
Dartmoor W5	380mm	100mm
Dartmoor 5	280mm	100mm

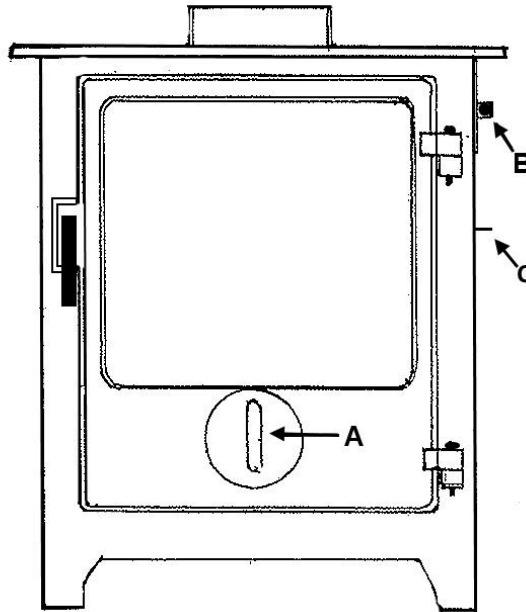
**When used as a Multi-Fuel use only smokeless fuels recommended for enclosed appliances.**

**Please Note:** Appliances should not be used as general incinerators or with non-recommended fuels. **At no time** should liquid accelerants i.e.: Paraffin, Petrol, BBQ lighting liquid Etc be used.

## Door Operation & controls

The door handle and air controls can become very hot so use the glove provided. Tools are provided to control the spin wheel, air wash lever and the tertiary air slider.

### Controlling the stove



#### Primary air control A is spin wheel on the door

The primary air control is a spin wheel on the door, this control is used for lighting the fire or boosting the fire this also is the main control when burning solid fuel when a multi-fuel kit is fitted.

#### Secondary air control lever B is situated on the right-hand side near the top of the stove.

This lever controls the air wash and is used as the main air control, when burning wood, once the fire is established.

#### Control lever B works as follows: -

For maximum air flow into the stove push the lever down to open and up to close.

#### Tertiary air control slider C is used to open and shut the air through the back of the stove.

This slider must be pushed fully in (push left towards the stove) when burning wood and out (pull to the right away from the stove) when burning smokeless fuel. A tool is provided which slots into the hole in the top of the slider. For safe access this slider should be operated when the stove is cold.

#### Controls Left Open

Operation with the air controls open can cause excess smoke. The appliance must not be operated with the air controls or door left open except as directed in the instructions.

#### Lighting the Stove with Wood

Lay a fire of sticks and paper. Firelighters can be used instead of paper. Check the secondary air lever is fully open and the primary air spin wheel is partially open. Light the paper or fire lighter and as it starts to establish a strong flame you may then fully open the primary air control.

When the fire has fully established and the logs are burning well, “this is usually about 10 to 20 minutes,” shut the primary air control and control the fire with the secondary air wash lever. If you are unable to sustain the fire with secondary control it is very likely that your logs have a high moisture content.

## **Refuelling**

Before refuelling open the door very slightly for about 5 seconds to help any smoke or loose ash to be drawn away from the door opening, then slowly open the door. Opening the door quickly can pull smoke and ash into the room. After adding the new logs to ensure clean burning, the primary air control should be opened for a couple of minutes until flames are established on the newly fuelled logs. The primary air should be closed once these flames are fully established and the logs have become blackened.

After refuelling, it is recommended that you do not leave the appliance unattended until it is certain that the logs are burning well with a sustained flame.

**Do not load the fuel above the log retainer or load logs that may roll forward onto the glass or out of the stove if the door is opened.**

### **Please note:**

If there is insufficient burning material in the fire bed to light a new fuel charge, excessive smoke emission can occur. Refuelling must be carried out onto a sufficient quantity of glowing embers and ash so that the new fuel charge will ignite in a reasonable time, about one to two minutes. If there are too few embers in the fire bed, add suitable kindling to prevent excessive smoke

## **Fuel overloading**

The maximum amount of fuel specified in this manual should not be exceeded, overloading can cause excess smoke.

The door should always be closed between refuelling to prevent fumes and spillage from the firebox. When loading the fire be careful not to leave logs projecting over the log retainer as you may crack the glass when closing the door, the glass also will become very black if a log is allowed to burn when touching the glass.

The ash should be removed before it reaches the primary air holes (approximately 25mm down from the bottom edge of the door aperture) which are situated along the inside front edge of the log retainer. Always leave about 10mm of ash in the stove, this will help a new fire establish when next lighting the stove.

In the summer or when the stove is not being used for a long period of time, clear all the ash out and leave primary and secondary air vents open to prevent condensation which will corrode the inside of the stove.

## **Lighting the stove with Solid Fuel and Multi-fuel kit fitted**

Lay a fire of sticks and paper “firelighters can be used instead of paper”. Establish a fire and then add the appropriate smokeless fuel, use the primary air control as the main control. When using a mixture of wood and coal balance the primary and secondary control to achieve the desired flame picture.

When using solid fuel in this stove with a multi-fuel kit installed, you must only use smokeless fuel recommended for enclosed appliances. Using the wrong fuel cannot only be dangerous but can cause the glass to craze.

The Ash pan will need emptying once a day.

**.Please Note:**

On lighting the stove for the first time from new the paint on the stove will cure and give off a metallic smell. It is advisable to ventilate the room i.e. open the windows in that area. This will subside after the stove has been burning hot for about 1 hour.

The appliances have been assessed and are suitable for intermittent burning not continuous burning.

Operation with the door open can cause excess smoke. The appliance must not be operated with the appliance door left open except as directed in the instructions.

**Pre-Season Check:**

The chimney needs to be swept at least once a year.

The chimney must be checked for blockages before lighting i.e.: bird's nests

This is probably the time to have the chimney swept before the beginning of the season.

Before lighting at the beginning of the season or after prolonged shutdown periods, check the door seals are in good condition; the steel insulating plates/fire bricks are in good condition and baffle plate is in position.

If the stove has been used for a long period of time, we suggest the chimney be swept twice a year.

**Notes****Down draughts or smoke in the room**

In adverse weather conditions, a down draught may occur this could make the stove smoke into the room. If this should happen shut all the stove air controls, open the windows and vacate the room until the smoke has cleared. At all times consider the safety of yourself and others before taking the above action.

Down draughts are generally caused by adverse weather or could be poor flue draught or not enough ventilation and not a fault with the stove. If this occurs on a regular basis call in your engineer.

It is possible a chimney cowl could cure this problem.

**Air vents**

If an air vent is installed check periodically that the internal and exterior ventilation grill is clear. It is also good practice to check the air passage behind the vent covers as this can sometimes get blocked up with spiders' webs

**Servicing**

All servicing must to be carried out by a qualified competent engineer at least once a year.

No unauthorised modifications of the appliance should be carried out.

Use only replacement parts recommended by the manufacturer.

**Fire Brick Lining**

The brick lining in the stove will wear and cracks with use. Small crack will occur, this is normal. The brick linings will only need replacing if they fall apart or are worn down to 50% of their original thickness.

The brick linings, baffle plates, rope seals and grates are wearing parts of the stove and will need replacing at times through the life of the stove. Keeping the brick linings in good condition and replacing them when required will prolong the life of the stove.

## **Fault finding**

If the stove starts emitting fumes into the room: -

- (1) Check there are no blockage or restriction in the flue.
- (2) Check the external air vent is not blocked.
- (3) Check a baffle plate has not been dislodged.
- (4) Call an engineer.

If the stove does not perform properly this could be due to unseasoned/wet wood, too much ash in the firebox or poor flue draught.

## **In the event of a chimney fire**

- Raise the alarm to let others in the house know
- Call the fire brigade
- Close down all the air controls of the stove, but be careful they could be very hot
- Move furniture, rugs and other objects away from the stove
- Check the chimney breast in other rooms for signs of excessive heat and move objects away if necessary
- At all times consider the safety of yourself and others in taking the above action

# **Fitting Instructions for The Dean Forge Dartmoor 5 Eco and W5 Eco Stove (Including the Huccaby and Foxworthy)**

## **Unpacking Stove**

Remove all the polystyrene transit blocks holding the baffles. Check all the fire bricks and baffle plates are in place and have not moved or been damaged in transit.

Inside the stove packed with these instructions will be gauntlet, a universal tool and a tool to operate the tertiary air slider.

Before lighting the stove, you must check that the installation has been carried out as per instructions and complies with current building regulations.

## **Health and Safety Precautions**

All work must be carried out to the required Health and Safety at Work Act 1974.

We do not recommend installing a stove into a room where an extractor fan is fitted.

There must be an air vent for all stoves of 5 kilowatt and over or meet current building regulations.

Stoves must be fitted to BS8303, BS6461 PT1-2 1984 building regulations.

All local regulations, including those referring to national and European standards need to be complied with when installing the appliance.

As with all stove's, fireguards must be installed when young children are present.

N.B

A suitably qualified person must fit the stove. i.e. a HETAS engineer or with the supervision of building control.

## Chimney

The Dartmoor 5 and W5 models require a 125mm (5") first length of flue then stepping up into a minimum of 150mm (6") liner. When using this stove with the smoke exempt air stop fitted the flue liner can be reduced to 125mm (5"). We strongly advise a minimum diameter of 150mm (6") flue liner be fitted when possible. The installation of a flue liner is recommended.

The chimney height must meet current building regulations.

These stoves are **not** suitable to be used in a shared flue situation.

The chimney must be sound and the flue not too large in section. If the existing flue is too large, a liner will have to be fitted to reduce this flue size.

When the chimney is warm the draw must not be lower than 12PA with the door closed. If there is excess flue draught a flue stabilizer might have to be installed.

It is recommended that this stove is fitted with a flue liner, the baffle plates can be removed to facilitate cleaning through the stove.

## Hearth, Surround and Register Plate

The stove must stand on non-flammable material at least 12mm thick (1/2"). The hearth must extend a minimum of 225mm in front of the firebox and 150mm to the sides. Due to some of the stove doors being large we recommend that the hearth projects forward further than the above minimum, to help prevent any ash on the door falling onto the floor when the stove door is opened.

If the stove is installed into a fire opening made of non-combustible materials, we recommend a minimum of 150mm gap to the sides, 300mm above and 50mm behind the stove. For minimum distances to combustible material see below.

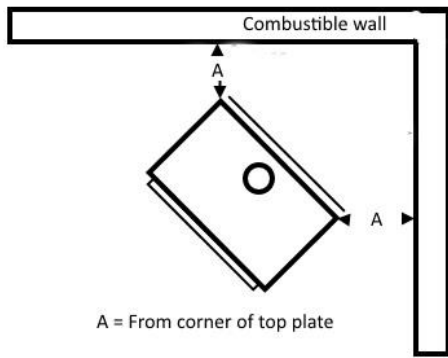
The both the Dartmoor 5 and W5 must be installed on a constructional hearth if a base plate protector is not fitted to the stove.

We recommend that any Dartmoor stove fitted onto a heat sensitive hearth such as slate or marble to have a base plate protector fitted to help prevent the hearth cracking. The Huccaby and the Foxworthy do not require further heat shielding. Do not store wood or flammable materials under any stove including the Foxworthy and the Huccaby.

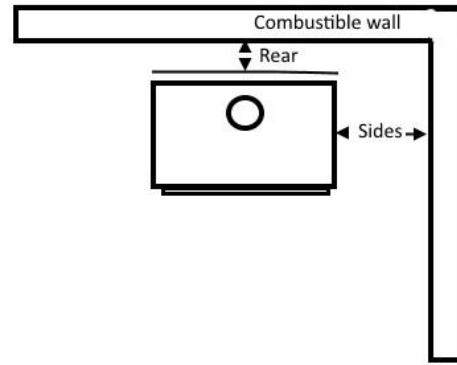
Stove Type	Minimum from back of appliance to combustibles With spigot shield fitted **	Minimum from side of appliance to combustibles **	Minimum from back of appliance to combustibles with double heat and spigot shield fitted **	Corner installation Distance A
Dartmoor 5 Eco	150mm	550mm	----- -----	400mm
Dartmoor W5 Eco	200mm	350mm	50mm	175mm

**\*\* Please note a single heat shield is fitted to the appliances as standard and therefore is considered to be the back of the appliance. All distances to the rear must be taken from the back of the nearest heat shield to the combustible materials directly behind the stove.**

See diagrams on next page.



**Corner installation from combustible walls**



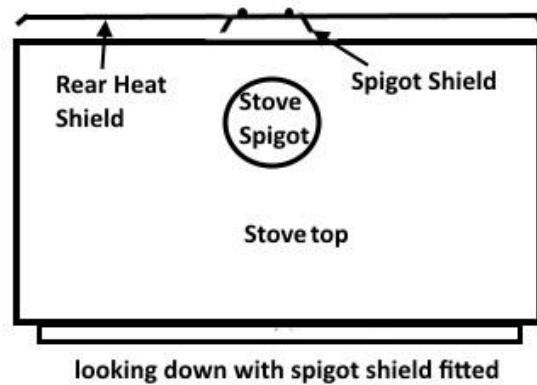
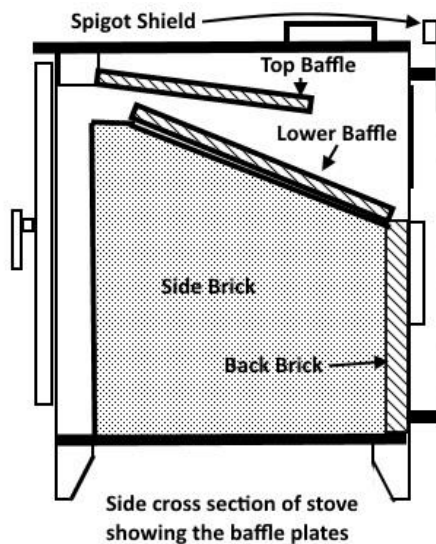
**Rear and side wall installation from combustible walls**

**Spigot Shield**

The minimum distances to combustible materials have been tested and approved when a spigot shield is fitted to the top of the heat shield. The spigot shield must be fitted to achieve these distances. The spigot shield “which is in the glove pack” fits to the top of each heat shield projecting up using the two screws which are located in their holes at the top of the stove heat shield. See diagram below

**Baffles**

Once all the packaging has been removed and the stove is in its final position you must make sure all the fire bricks and baffles plates are in place. Particular attention must be taken when checking the top baffle plate is in place. See diagram below.



The Top vermiculite baffle sits on a ledge across the front and on an angle bracket to each side towards the rear. If the top baffle has a section cut out this must be positioned with the cut out at the rear.

The lower baffle on the W5 is steel with a vermiculite brick that sits inside to the top face. The steel section is held up by the two outer bricks to each side and the steel ledge to the rear of the stove. The folds in the steel baffle must point up and the vermiculite brick sits between the folds.

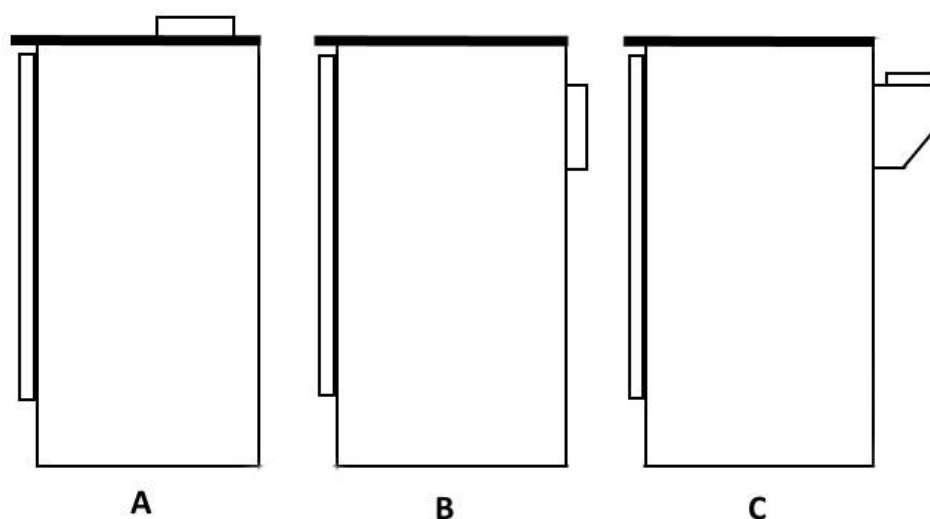
The Dartmoor 5 lower baffle is vermiculite only which is also held up by the two outer bricks to each side and the steel ledge to the rear of the stove.



## **Flue Connections and Outlets**

### **Flue Connections and Outlets**

Dean Stoves can be flued from the top and the back, or with a vertical back box. Horizontal flue from back of stove should not exceed 150mm.



Diagrams showing the flue outlet from the top (A), back (B) and back box (C)

All flue connections must be sealed with fire cement. Doors in the register plate must be present or a soot box fitted in the back or side of the fireplace to enable access to clean the chimney when the stove is installed without a liner.

If the chimney has been lined and cannot be swept through the stove an access door on the first length of flue must be installed for cleaning access.

### **Leg Adjusters**

To level the stove there are leg adjusters on each leg of the stove, a 13mm spanner will be required to make any adjustment. The adjusters on the Huccaby and Foxworthy are located behind the side plate to the inside of both legs. To access them you will need a 3mm allen key to remove the side plates.

### Stove Performance

Appliance	Dartmoor 5 Eco Foxworthy Eco Dartmoor Baker 5 Eco		Dartmoor W5 Huccaby Dartmoor W5 Baker Eco		
	Fuel	Wood	MSF	Wood	MSF
Total Efficiency	%	82.1	80.7	83.1	79.7
Nominal heat output	kW	5.0	5.0	5.0	5.0
Mean CO emission (at 13 % O <sub>2</sub> )	%	0.08	0.12	0.11	0.08
Mean flue gas temperature	°C	250	269	249	261
Flue gas mass flow	g/s	4.0	3.9	3.8	3.4
Mean C <sub>n</sub> H <sub>m</sub> (at 13 % O <sub>2</sub> )	Nmg/m <sup>3</sup>	108	55	92	21
Mean NO <sub>x</sub> (at 13 % O <sub>2</sub> )	Nmg/m <sup>3</sup>	106	97	96	110
DIN Plus dust (at 13 % O <sub>2</sub> )	Nmg/m <sup>3</sup>	24	26	10	18
Appliance weight					

(MSF – Manufactured smokeless fuel)

#### **Pre – Lighting Check and Commissioning**

Check all Building Regulations have been adhered to.

The baffle plates are in the right position.

A smoke test has been done to check the chimney is clear.

Take a flue draught reading and make sure it meets the requirements for the stove.

#### **Data Plate**

All stoves are numbered and performance marked on a data plate which is found on a swinging arm located in the middle front at the base of the stove.

#### **Air Vent**

Under part J of building regulations an air vent of the appropriate size must be fitted for all stoves with a kw rating of over 5kw.

In very air tight properties designed with air permeability less than or equal to 5.0 m<sup>3</sup>/ (h.m<sup>2</sup>) per hour, an air vent will need to be fitted for all kilowatts.

When fitting air vents any other appliance fitted within the room must be taken into account.

**Please Note:** Extractor fans when operating in the same room or space as the appliance may cause problems. Extra air venting must be in place to counteract this affect.

Air vent inlet grills must not be inadvertently blocked.

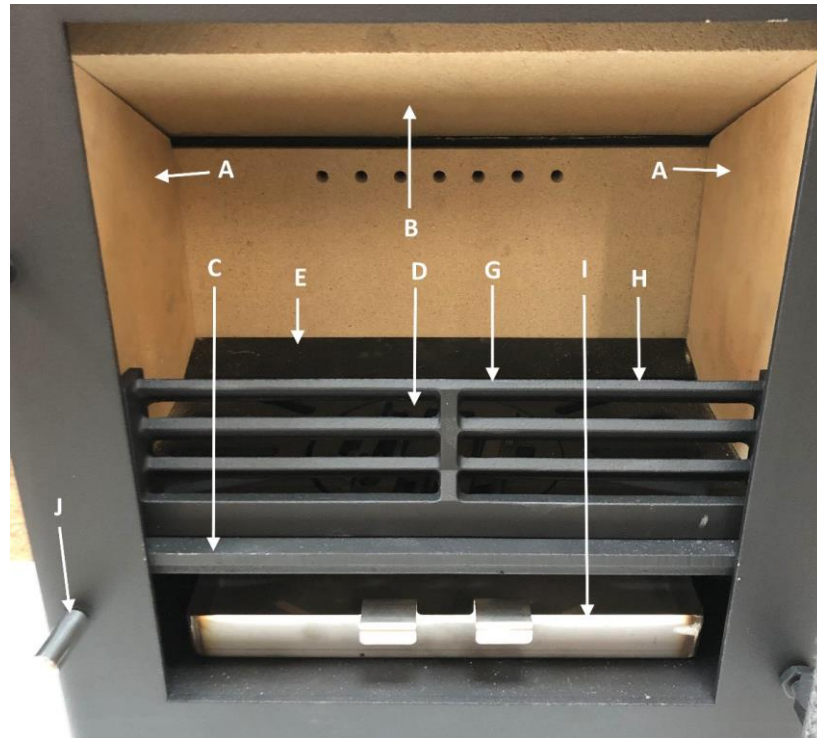
Air vents must not be fitted in positions where they can be inadvertently covered up.

As from the 1<sup>st</sup> October 2010 a compliant Carbon Monoxide Alarm must be fitted

Operation with the door open can cause excess smoke. The appliance must not be operated with the appliance door left open except as directed in the instructions.

## Installing a Multi-fuel kit in a Dartmoor 5 Eco.

To install a multi-fuel kit into a Dartmoor 5 woodburner first remove the inner side bricks by lifting the baffle plate up on one side above the side brick then slide the side brick out being careful not to damage it. This needs to be repeated on the other side but this time you must hold the baffle plate to stop it falling out. Once both side bricks are removed the baffle plate can then be removed as well as the log retainer. Remove a cover bolt, where the riddle bar will be fitted, which is on the left side on the outside face of the stove the nut is on the inside.



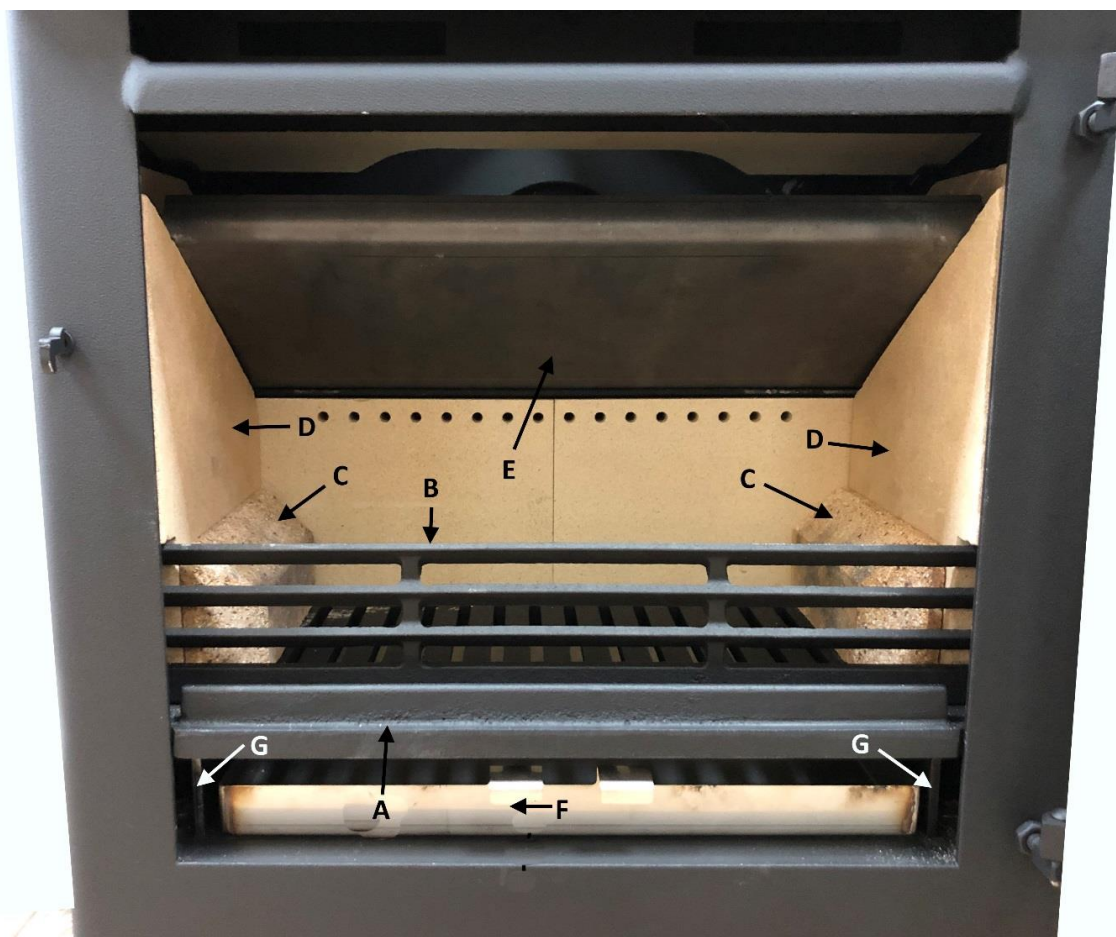
Dartmoor 5 Eco with Multi-fuel kit installed

Now you are ready to install the multi-fuel kit.

1. Fit the main grate frame (C) with the legs at the back of the stove, slide the frame forward making sure the front of the frame sits on the brackets which are each side near the front of the stove.
2. Unscrew the stainless-steel knob (J) off the riddle bar and hook the bar through the hole in the arm of the centre grate (D) making sure the riddle bar sits under the centre grate arm.
3. Fit the centre grate (D) with the arm pointing to the left and feed the riddle bar through the hole in the front of the stove.
4. Re-fit the baffle plate (B) using the new shorter side bricks.
5. Fit the rear infill plate (E). The support bar welded to one side points down and sits against the back of the main grate frame the other side leans against the rear brick.
6. Fit the new fuel retainer making sure the bars sloping down, away from you towards the grate.
7. Fit the ash pan (I) under the fire grate.
8. Fit the door rope seal. Remove the two bottom door glass retainers (be careful the glass does not fall out). Slide the two glass retainers into the two cut-outs between the channel and the rope seal. Ease the rope slightly back to locate the glass retaining screws through the retainers and the holes in the channel. Screw the channel/rope seal to the door with the glass retainers pointing up to hold the glass in place. Gently push the rope seal back over the screw in the channel

## Installing a Multi-fuel kit in a Dartmoor W5 Eco.

To install a multi-fuel kit into a Dartmoor W5 woodburner first remove the inner side bricks by lifting the baffle plate up on one side above the side brick then slide the side brick out being careful not to damage it. This needs to be repeated on the other side but this time you must hold the baffle plate to stop it falling out. Once both side bricks are out the baffle plate can then be removed as well as the log retainer. On each side of the base of the stove there are two bolts that need to be removed, this requires a 17mm spanner or socket. The stove is now ready to accept the multi-fuel kit.



Dartmoor W5 Eco with Multi-fuel kit installed

### **Now you are ready to install the multi-fuel kit.**

1. Bolt the two grate supports (G) by bolting them through the base holes each side. Make sure the inside nut is adjusted so when the lower nuts are tightened the brackets are not digging into the outer side brick. The side bricks should just move when the nuts are tight.
2. Fit the new fuel retainer making sure the bars sloping down, away from you towards the base of the stove.
3. Slide the fuel retainer (B) up then slide the fire grate (A) under the fuel retainer and on top of the side brackets (G) with the lip on the grate to the front and pointing up. Slide the fuel retainer back down to sit on the fire grate
4. Re-fit the baffle plate (E) using the new shorter side bricks.
5. Fit the sloping thicker multi-fuel bricks (C) to each side of the fire grate.
6. Fit ash pan (F) under the fire grate.

## EC Declaration of Conformity

The Undersigned, representing the following:

Manufacturer

**Dean Forge Ltd**  
Dean Prior, Buckfastleigh, Devon, TQ11 0LS

Herewith declare that the products:

<b>Description</b>	<b>Product Code</b>
Dartmoor 5	STDFEDA5
Dartmoor W5	STDFEDAW5
Huccaby	STDFEHU
Foxworthy	STDFEFO

### **Description of product:**

Dartmoor wood and multifuel heating stove product range.

Steel bodied stove fitted with cast iron doors. Supplied in various sizes to give a range of heat output options.

Are in conformity with the provisions of the following EC Directive (S) when installed in accordance with the installation instructions in the product documentation:

98/106/EEC- 305/2011 Construction Products Directive

And the standards referenced below have been applied:

EN 13240: 2001 + Amendment A2: 2004 & inset BS EN13229:2001 + A1: 2003 + A2: 2004

**Provisions to which the product conforms:**

Product: Roomheater fired by solid fuel as covered under the scope of the standards listed.		
Intended use: Space heating in residential building.		
Characteristic	Performance	Report
Fire Safety	Satisfies	
	Dartmoor 5- STDFDA5E/ STDFFOHE/ STDFFOLE Co @ 13% O <sub>2</sub> Wood 0.08% Ancit 0.12% 5Kw @ 82.1% Wood -5Kw @ 80.7% Ancit	
	Dartmoor W5- STDFDAW5E/ STDFHUE co@ 13% O <sub>2</sub> Wood 0.11% Ancit 0.08% 5Kw @ 83.1% Wood -5Kw @ 80.3% Ancit	
Release of dangerous substances	None	
Surface temperature	Satisfies	
Mechanical resistance (to carry a chimney/flue)	Maximum weight to be supported 30Kg	

Test laboratory: 0692

Name: M.P Chew

Signature:



Position: Technical Director (s)

Date: 23<sup>rd</sup> October 2019

Product Fiche according to Commission Delegated Regulation (EU)2015/1187	
Energy Labelling of Local Space Heaters	
Supplier's Name	Dean Stoves
Model	Dartmoor W5 Eco
Energy Efficiency Class	A+
Nominal Heat Output to Room (KW)	5.0
Nominal Heat Output to Water (KW)	n/a
Seasonal Space Efficiency (%)	73.1
Net Efficiency (%)	83.1

Product Fiche according to Commission Delegated Regulation (EU)2015/1187	
Energy Labelling of Local Space Heaters	
Supplier's Name	Dean Stoves
Model	Dartmoor 5 Eco
Energy Efficiency Class	A+
Nominal Heat Output to Room (KW)	5.0
Nominal Heat Output to Water (KW)	n/a
Seasonal Space Efficiency (%)	72.1
Net Efficiency (%)	82.1

## **THE DEAN FORGE FABRICATION LTD STOVES GUARANTEE**

Dean Forge Fabrication Ltd offers a five-year guarantee which covers the main body of the stove for manufacturing defects.

In the event of a manufacturing defect we will replace any defective part free of charge, labour cost excluded.

This guarantee is invalid if the stove is not assembled, installed or operated as per these instructions or properly maintained or does not comply with current building regulations and any regional legislation in force at the time.

Dean Forge Fabrication Ltd does not guarantee the onsite assembly, installation or operation of the stove. Please seek advice from your supplier / installer for any relevant guarantees applicable to the installation.

Dean Forge Fabrication Ltd will not be held liable for any consequential or incidental loss, damage or injury, however caused.

Claims under this guarantee should be first made through your retailer.

This guarantee is only applicable in the UK.

Nothing in this guarantee shall affect your statutory rights.

### **Exclusions**

The following consumable parts are not covered by this guarantee: -

Fire grate, log retainer, baffle plate, fire bricks, glass panels and door seals.

Paint is also excluded from the guarantee as it will eventually deteriorate due to the normal working of the stove.

Your assistance is requested by filling in and returning the product Registration and Guarantee Form. This will help maintain our records and assist us in identifying your stove in the unlikely event of any problem occurring and also when you need to order any spare parts.





**Dean Forge Fabrications Ltd  
Dean Prior  
Buckfastleigh  
Devon  
TQ11 0LS**

**PRODUCT REGISTRATION**

**Name** .....

**Address** .....

.....

.....  
.....**Phone Number:** .....

**Suppliers Details:**

**Name** .....

**Address** .....

.....

.....  
.....**Phone Number:** .....

**Installers Details:**

**Name** .....

**Address** .....

.....

.....  
.....**Phone Number:** .....

**Date of Purchase:** ..... **Date of Installation:**.....

**Stove Serial No:** ..... **Model** .....